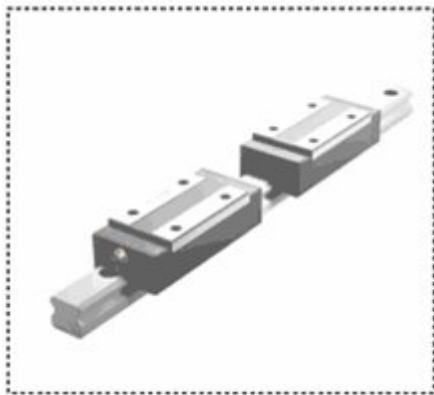
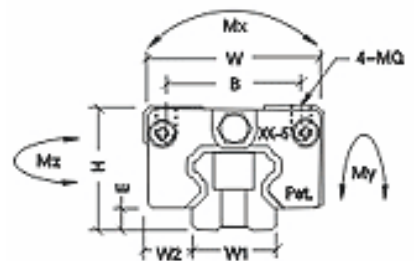
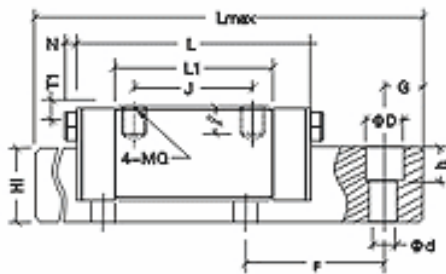


## LINEAR GUIDEWAY (SR BSRB BL)



### SR Rail BSRB BL Pillow Bearing



Model No.	Assembled Dimension				Seat Dimension (mm)							Track Dimension (mm)			
	H	W	W2	E	L	BXJ	MQX&	L1	Hole of oil	T1	N	W1	H1	F	dXDXh
BSRB15	28	34	9.5	4.6	66	26X26	M4X6.4	40	∅3	8.3	5	15	14	60	4.5X7.5X5.3
BSRB20	30	44	12	5	77.8	32X36	M5X8	48.8	M6X1	7	6.5	20	18	60	6X9.5X8.5
BSRB20L					92.4	32X50		63.4							
BSRB25	40	48	12.5	7	88	35X35	M6X9.6	57	M6X1	11.8	6.5	23	22	60	7X11X9
BSRB25L					110.1	35X50		79.1							
BSRB30	45	60	16	9	109	40X40	M8X12.8	72	M6X1	10	6.5	28	26	80	9X14X12
BSRB30L					131.3	40X60		94.3							
BSRB35	55	70	18	9.5	119	50X55	M8X12.8	80	M6X1	15	6.5	34	29	80	9X14X12
BSRB35L					144.8	50X72		105.8							
BSRB45	70	86	20.5	14	148.2	60X60	M10X16	105	M8X1	18	13	45	38	105	14X20X17
BSRB45L					173	60X80		129.8							
BSRB55	80	100	23.5	15	170	75X75	M12X19	121	M8X1	20	13	53	44	105	16X23X20
BSRB55L					205.1	75X95		156.1							

Model No.	(mm)		Basic Load Rating		(kgf*m)			Weight	
	L max	G	C (kgf)	Co (G)	Mx	My	Mz	Block (kgf)	Track(kgf/M)
BSRB15	4000	20	850	1650	10	8	8	0.21	1.4
BSRB20	4000	20	1450	2560	22	18	18	0.31	2.6
BSRB20L			1900	3330	28.6	23.4	23.4	0.47	
BSRB25	4000	20	2140	4000	36	31	31	0.45	3.6
BSRB25L			2996	5600	50.4	43.4	43.4	0.56	
BSRB30	4000	20	2980	5490	60	49	49	0.91	5.2
BSRB30L			3900	7190	78.5	65	65	1.2	
BSRB35	4000	20	3960	7010	96	73	73	1.5	7.2
BSRB35L			5230	9270	125	95	95	1.9	
BSRB45	4000	22.5	6740	12100	216	168	168	2.3	12.3
BSRB45L			8330	14950	267	210	210	2.8	
BSRB55	4000	30	9940	17100	367	288	288	3.9	16.9
BSRB55L			12820	22060	473	375	375	5	