

Motiontek Drives System

XL037 Pulley material aluminum

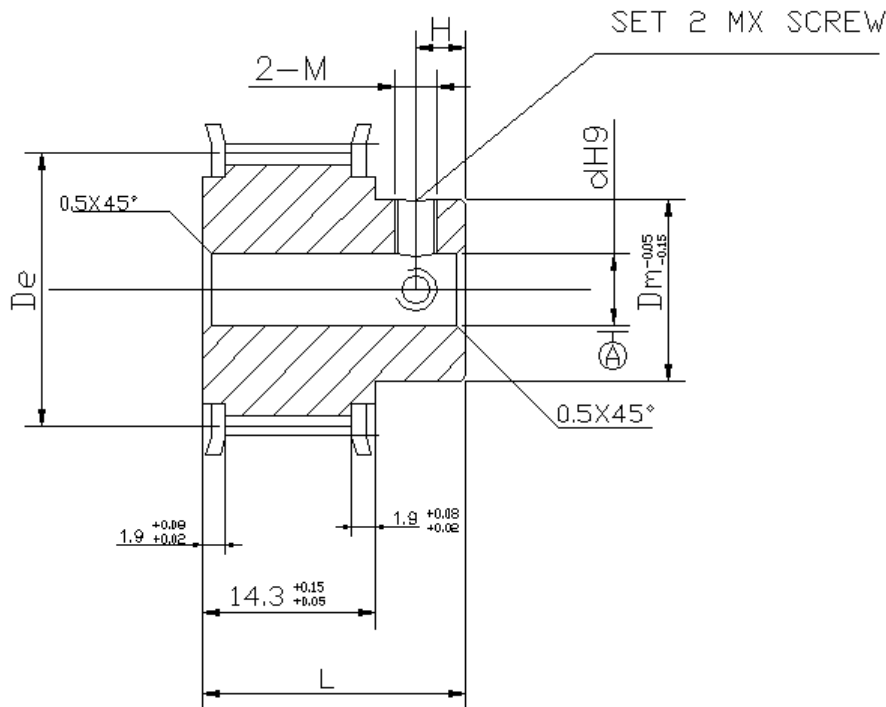
Clear Anodized

Two set screw holes (M) set screw

All measurement are in metric mm, each inch = 25.4 mm

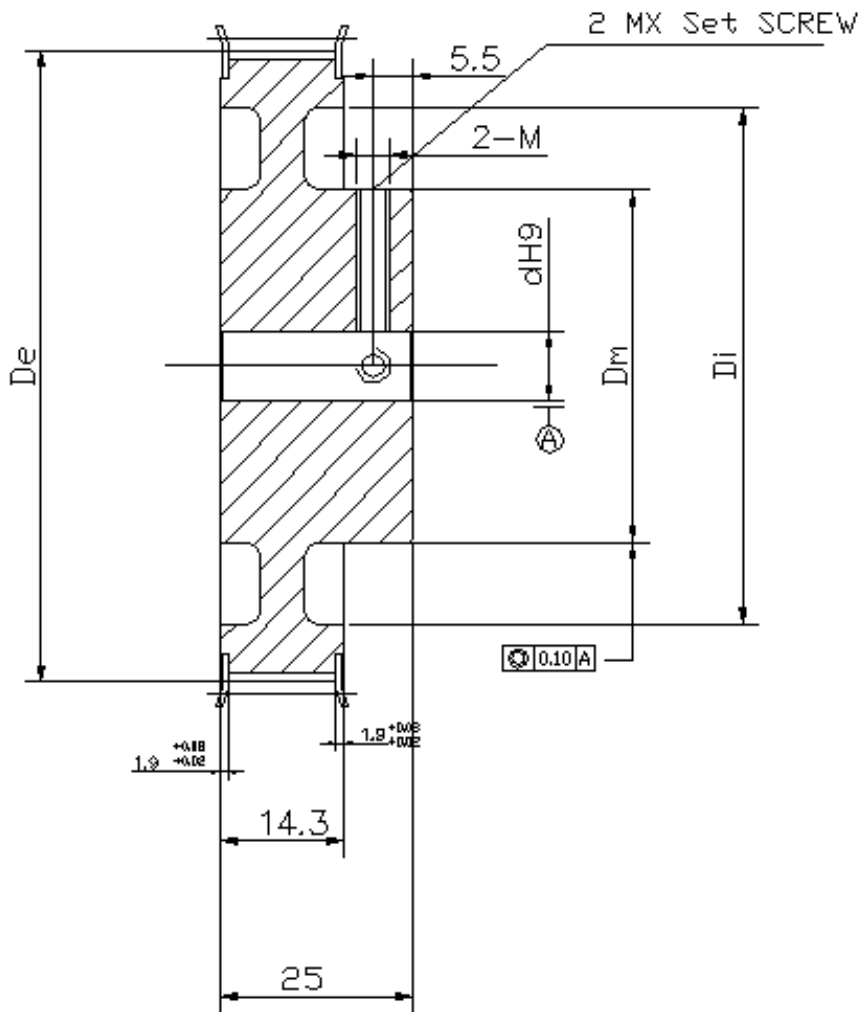
[Calculate belt length here Automatically](#)

Code 12 XL 037			
Digit	1~2	3~4	5~7
Description	Number of teeth	XL = Type	037



Part No.	Flange	De	Dm	L	d	MX Set screw	H	Max bore	No of Teeth	Weight
12XL037	25x15x1.0	18.90	12.5	20	6.35	2/M4	3	6.35	12	
14XL037	28x17.8x1.0	22.13	15	20	6.35	2/M4	3	8	14	
16XL037	32x20x1.0	25.36	16	20	6.35	2/M4	3	8	16	
18XL037	35x23x1.0	28.60	20	20	6.35	2/M4	3	12.7	18	
20XL037	38x26.5x1.0	31.83	24	22	6.35	2/M4	4	15	20	
40XL037	70x53x1.0	64.17	45	25	6.35	2/M4	5.5	25.4	40	
42XL037	75x60x1.0	67.41	45	25	6.35	2/M4	5.5	25.4	42	

Motiontek Drives System



Part No.	Flange	D_e	D_m	D_i	L	d	MX Set screw	H	Max bore	No of Teeth	Weight
60XL037	106x90x1.0	96.51	45	80	25	6.35	2/M4	5.5	25.4	60	