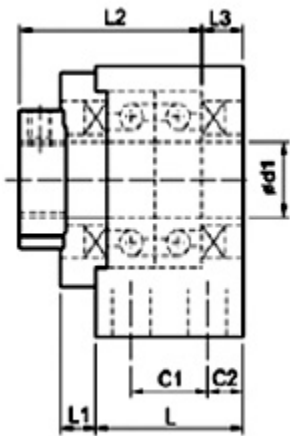
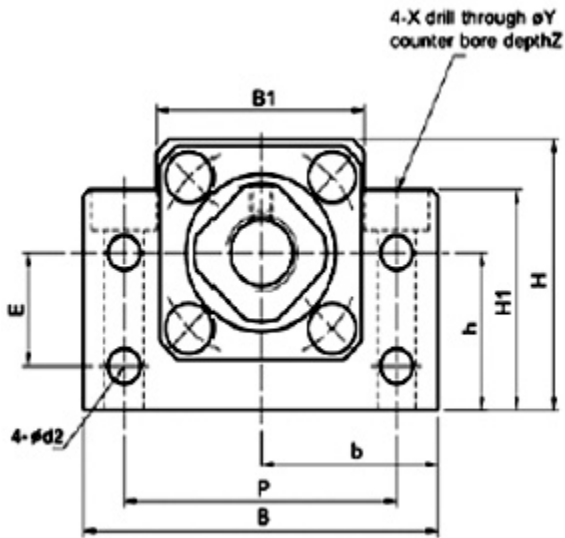


Global Motion Technology Inc (www.motiontek.ca)

Front support unit for ball screw with double bearing and fixing nut catalog no. CN-BSFU01
 All measurement are in metric mm, each inch = 25.4 mm



Model No	d1	L	L1	L2	L3	C1	C2	B	H	b	h	B1	H1	E	P	d2	X	Y	Z	M	T
BSFU16	12	25	5	29	5	13	6	60	43	30	25	35	32.5	18	46	5.5	6.6	10.8	1.5	M3	19
BSFU20	15	27	6	32	6	15	6	70	48	35	28	40	38	18	54	5.5	6.6	11	6.5	M3	22
BSFU25	17	35	9	44	7	19	8	86	64	43	39	50	55	28	68	6.6	9	14	8.5	M4	24