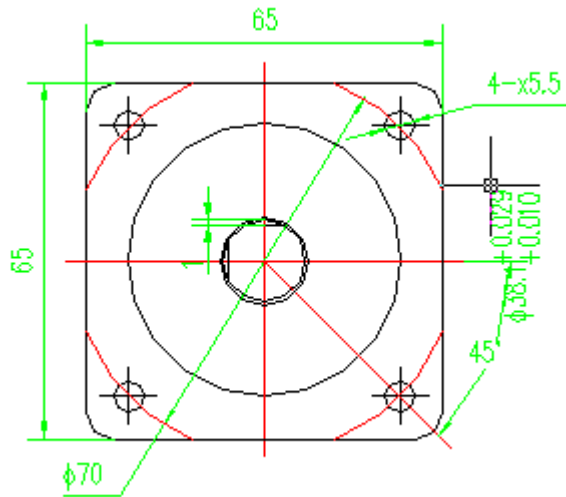


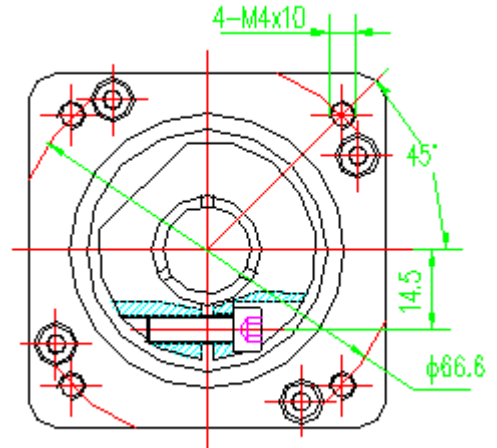
GR2310H Planetary Gearbox

Drawing in Metric each 1 inch = 25.4 mm

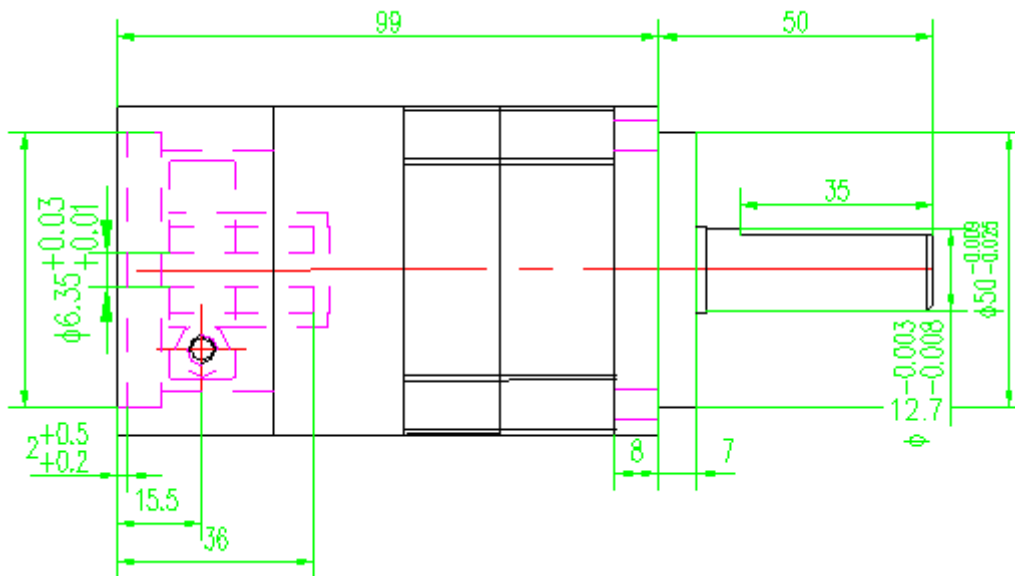
Front



Back



Side





Gearbox GR2310H Specification

- Backlash < 10 arc-min
- Gear Ratios See table below
- Nominal Torque See table below
- Front & back frame standard Nema23
- Maximum Input RPM 5000
- Rated Input RPM 3000
- Input clamping : Coupling
- Output shaft diameter 12.7mm/0.5"
- Output shaft length 32mm/1.26"
- Input shaft diameter 6.35mm/1/4"
- Input shaft length 36mm/1.41"
- Lifetime Lubrication
- Weight 1.6 KG / 3.52 lbs

| Nominal Output Torque (N.M) | Ratio |
|-----------------------------|-------|
|-----------------------------|-------|

| | |
|----|-----|
| 30 | 5 |
| 35 | 7 |
| 35 | 10 |
| 35 | 15 |
| 45 | 20 |
| 45 | 30 |
| 45 | 40 |
| 60 | 50 |
| 60 | 60 |
| 80 | 80 |
| 80 | 100 |
| 80 | 150 |
| 80 | 200 |

Ultimate Torque

1.5 ~ 2 times of rated output torque