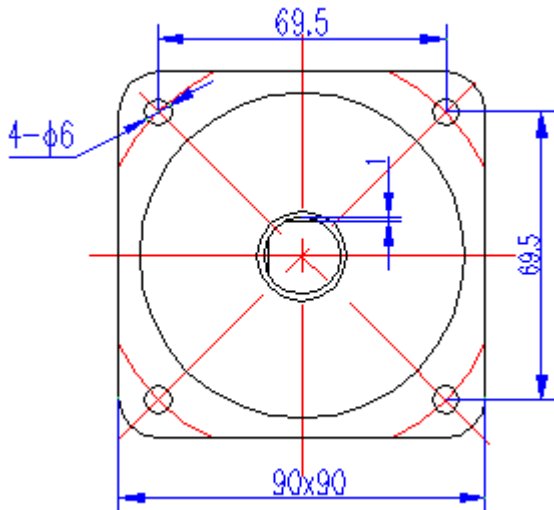


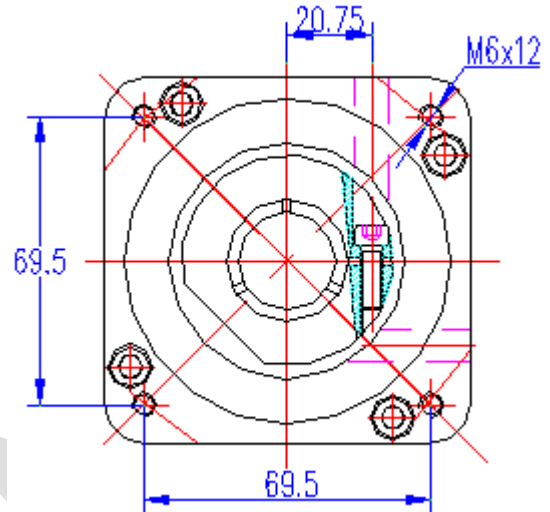
GR3410H Planetary Gearbox

Drawing in Metric each 1 inch = 25.4 mm

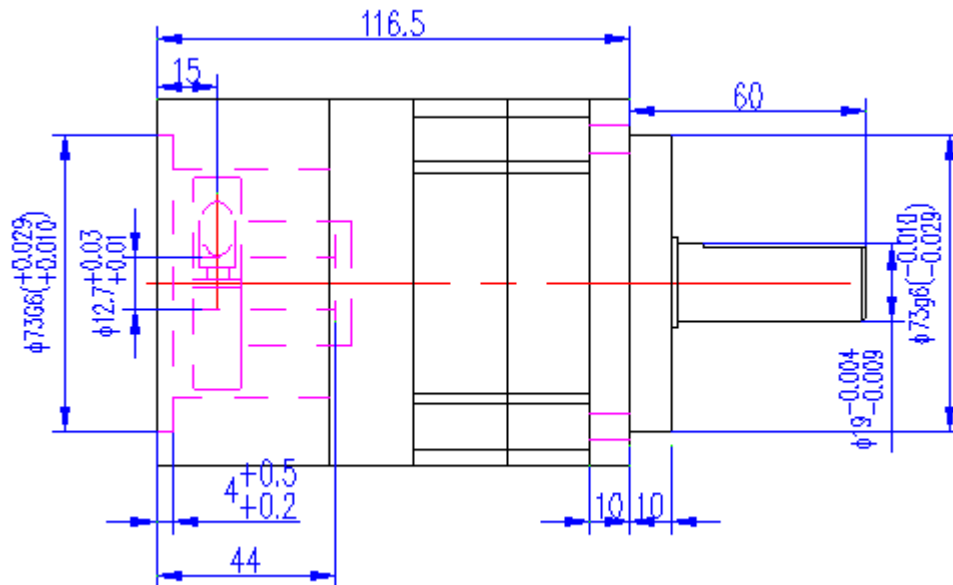
Front



Back



Side





Gearbox GR3410H Specification

- Backlash < 10 arc-min or =< 5 arc-min HP
- Gear Ratios See table below
- Nominal Torque See table below
- Front & back frame standard Nema34
- Maximum Input RPM 5000
- Rated Input RPM 3000
- Input clamping : Coupling
- Output shaft diameter 19mm/0.748"
- Output shaft length 50mm/1.96"
- Input shaft diameter 12.7mm/1/2"
- Input shaft length 44mm/1.73"
- Lifetime Lubrication
- Weight 3.2 KG / 7 lbs

Nominal Output Torque (N.M)

Ratio

60	5
60	7
70	10
70	15
70	20
80	30
80	40
120	50
120	60
120	80
150	100
150	150
150	200

Ultimate Torque

1.5~2 times of rated output torque