

Global Motion Technology Inc

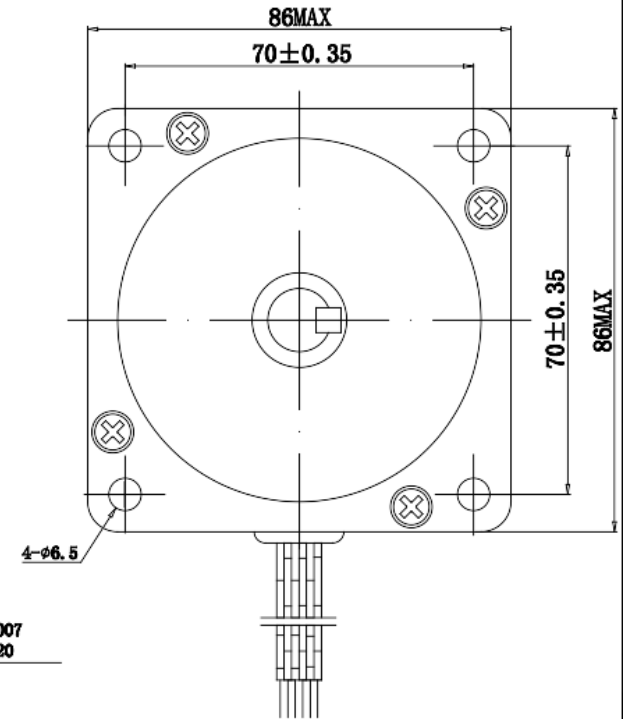
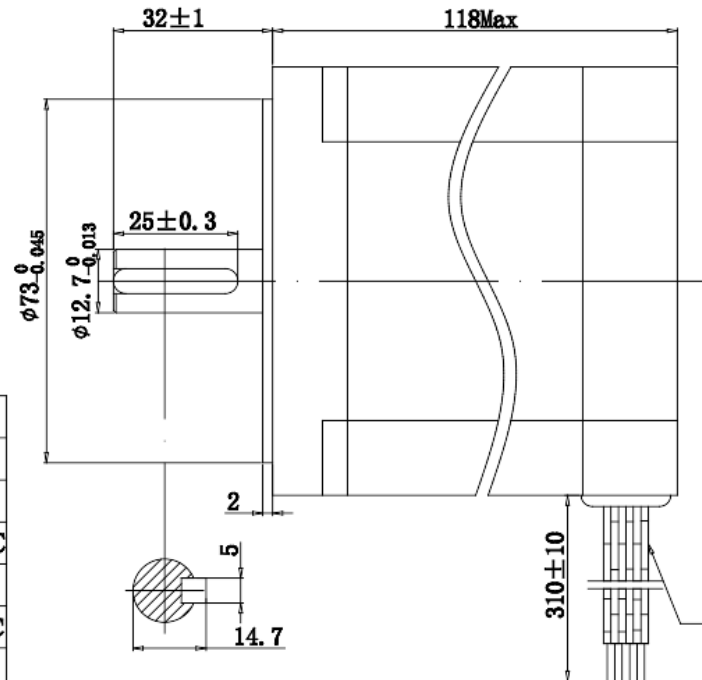
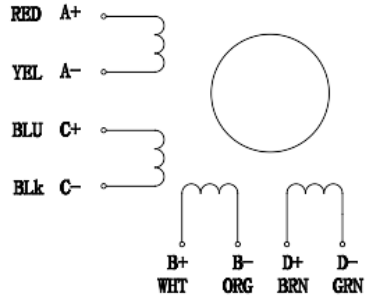
www.motiontek.ca, info@motiontek.ca

Stepper Motor Manufacturer # 86BHH118-500A | Stock # M120834SS1232

Available in 1/2" Single Shaft

Stepper Motor PN M128034SS1232

Wiring Diagram



SPECIFICATIONS

1	Number of Phase	2
2	Step Angle	1.8° ±5%
3	Rotor Inertia	g • cm ²
4	Insulation Resistance	100M Ω 500VDC
5	Insulation Class	B (130°C)
6	Ambient Temperature	-20°C to 50°C
7	Ambient Humidity	15% to 95%
8	Motor Weight	Approx xx kg

³ WIRINGS CONNECTION DIAGRAM

	Holding Torque (2 phases on) oz/in±10%	Rated Current/Phase (Amps DC)	Resistance/Phase (ohms) ±10%	Voltage/Phase (V DC)	Inductance/Phase (mH) ±20% Typical (1kHz)
Unipolar	861	3.5	1.14	4	6
Bipoar(Series)	1208	2.5	2.28	5.7	23
Bipoar(Parallel)	1208	5	0.57	2.16	6

