

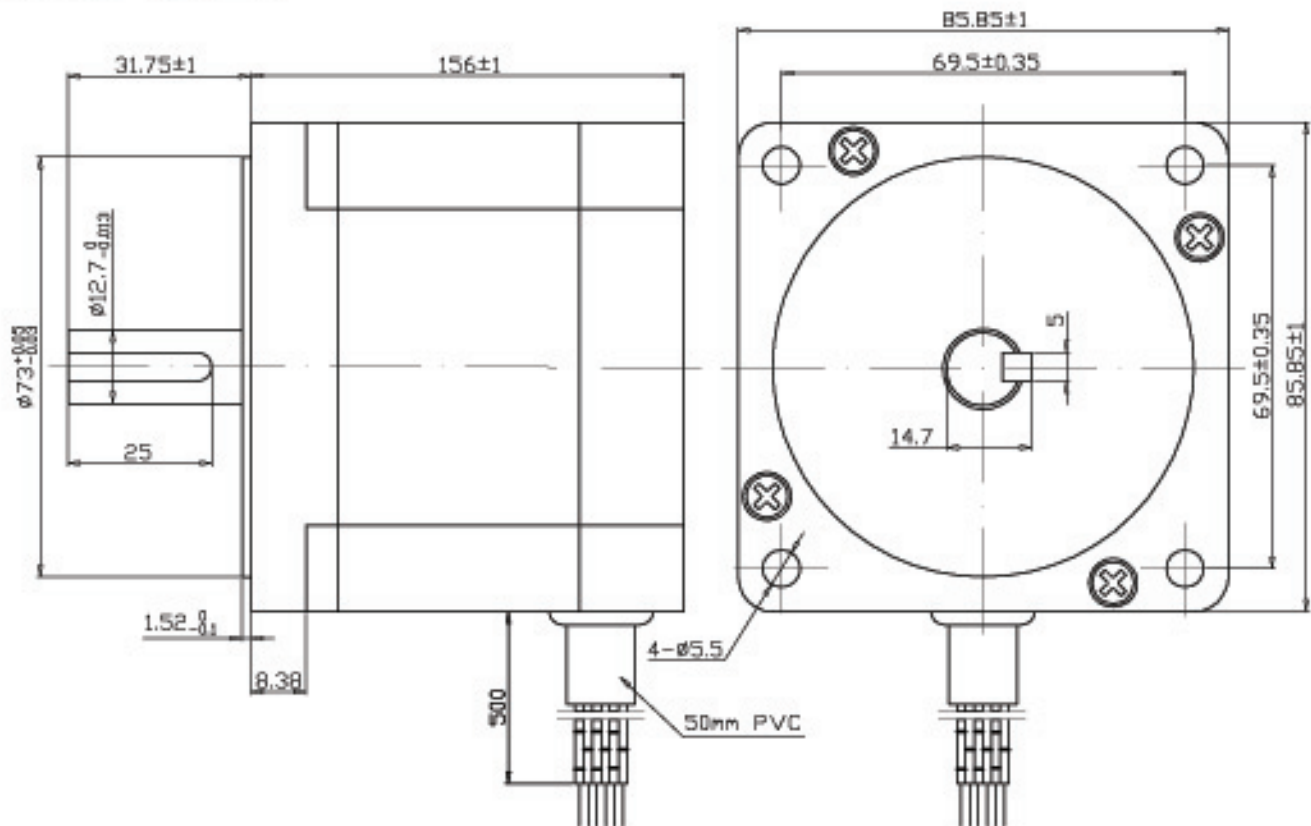
Stepper Motor M1698

SPECIFICATIONS

PHASE	STEP ANGLE	CONNECTION STYLE	CURRENT	RESISTANCE	INDUCTANCE	HOLDING TORQUE	CLASS OF INSULATION	WEIGHT
	DEG/STEP		A	ohms±10%	mH±20%	oz/in - N,m		Kg
4	1.8	parallel	7.8	0.35	4.8	1698/12	B	5.3
		series	3.9	1.4	19.2	1698/12		
		unipolar	6.0	0.7	4.8	1203/8.5		

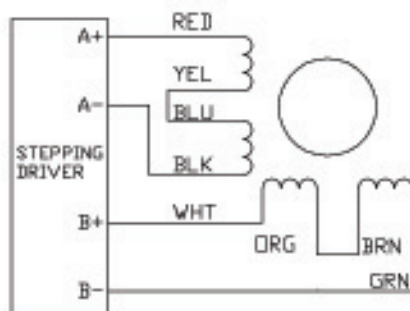
DIMENSION:

Units :mm

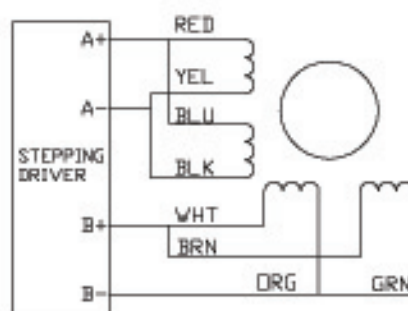


WIRING DIAGRAM

Bipolar Series



Bipolar Parallel



Unipolar

