

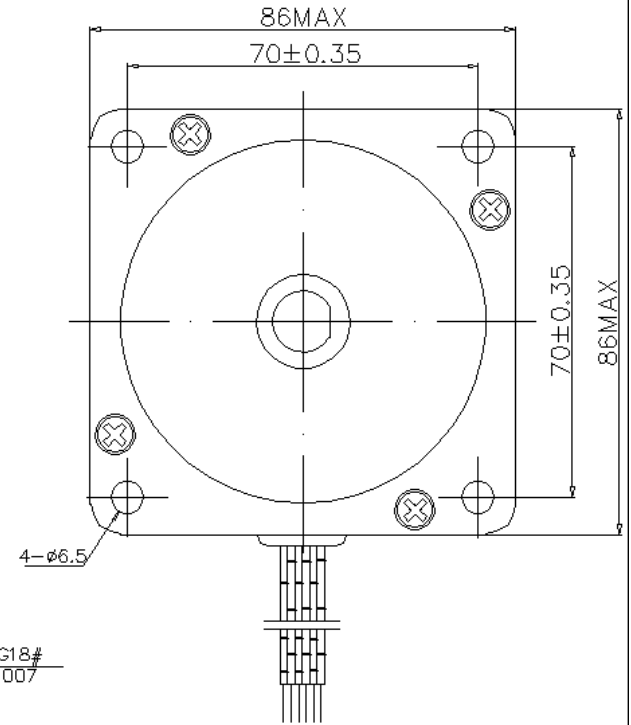
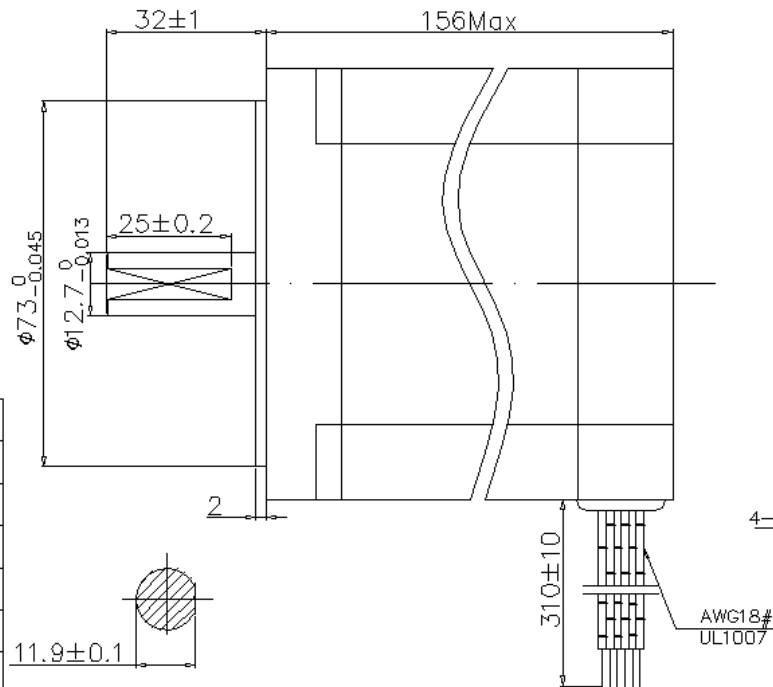
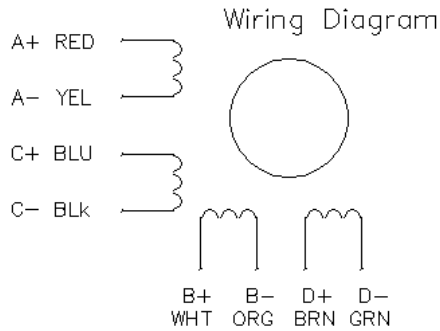
# Global Motion Technology Inc

[www.motiontek.ca](http://www.motiontek.ca), [info@motiontek.ca](mailto:info@motiontek.ca)

Stepper Motor Manufacturer # 86BHH156-600H | Stock # M186034SS1232

Available in 1/2" Single shaft

Stepper Motor PN M186034SS1232



## SPECIFICATIONS

1	Number of Phase	2
2	Step Angle	1.8°±5%
3	Rotor Inertia	g cm <sup>2</sup>
4	Insulation Resistance	100MΩ 500VDC
5	Insulation Class	B 130
6	Ambient Temperature	-20 to 50
7	Ambient Humidity	15% to 95%
8	Motor Weight	Approx 4 kg

WIRINGS CONNECTION DIAGRAM

	Holding Torque (2 phases on) oz/in ±10%	Rated Current/Phase (Amps DC)	Resistance/ Phase (ohms)±10%	Voltage/ Phase (V DC)	Inductance/ Phase (mH)±20% Typical(1kHz)
Unipolar	1305	4.3	1.36	5.9	9.2
Bipolar(Series)	1860	3	2.72	8	35
Bipolar(Parallel)	1860	6	0.68	4	9.2

