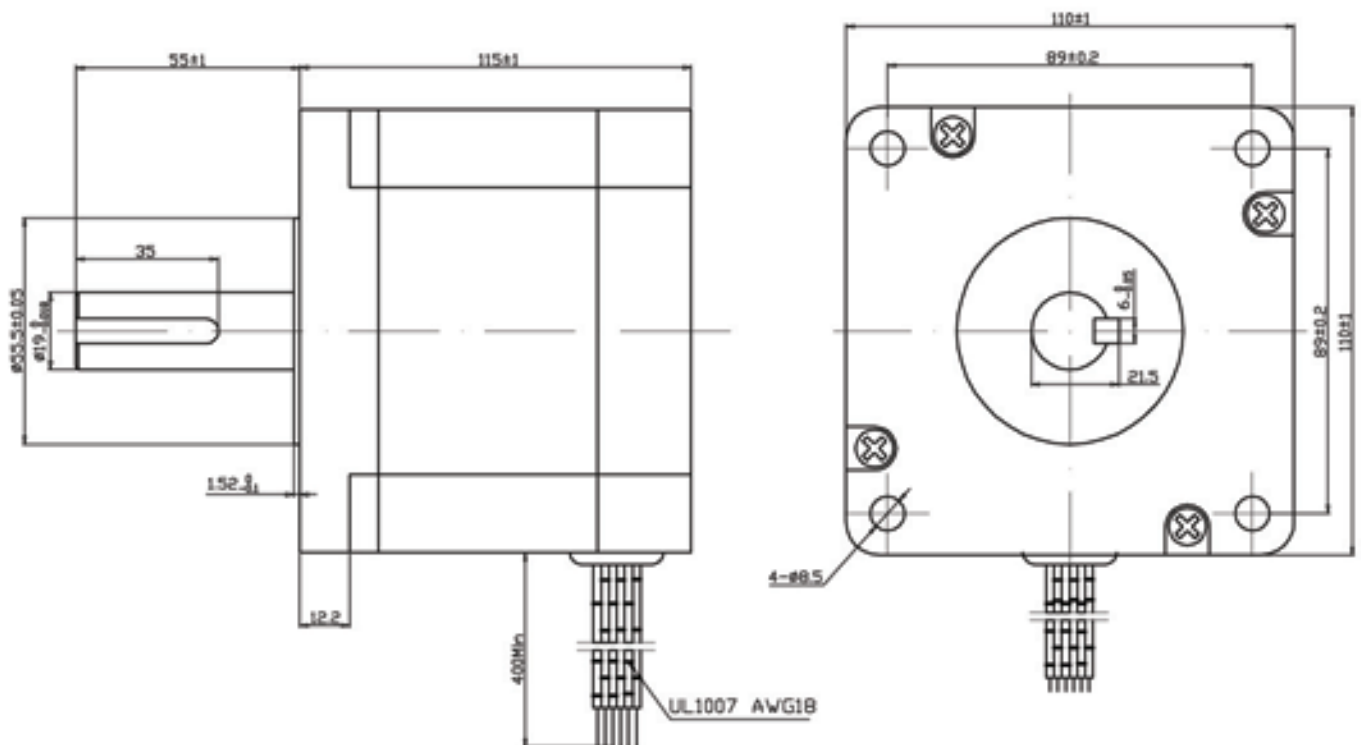


# Stepper Motor M2377

## SPECIFICATIONS

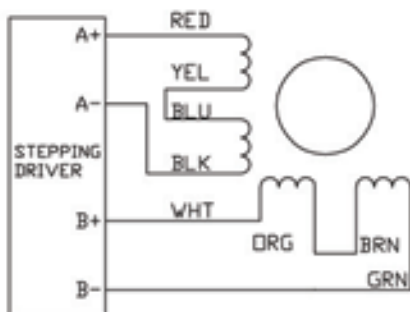
| PHASE | STEP ANGLE | CONNECTION STYLE | CURRENT | RESISTANCE | INDUCTANCE | HOLDING TORQUE | CLASS OF INSULATION | WEIGHT |
|-------|------------|------------------|---------|------------|------------|----------------|---------------------|--------|
|       | DEG/STEP   |                  | A       | ohms±10%   | mH±20%     | oz/in - N.m    |                     | Kg     |
| 2     | 1.8        | parallel         | 8.2     | 0.48       | 7          | 2377/16.8      | B                   | 6      |
| 2     |            | series           | 4.1     | 1.92       | 28         | 2377/16.8      |                     |        |
| 4     |            | unipolar         | 5.8     | 0.96       | 7          | 1698/12        |                     |        |

DIMENSION: Units :mm

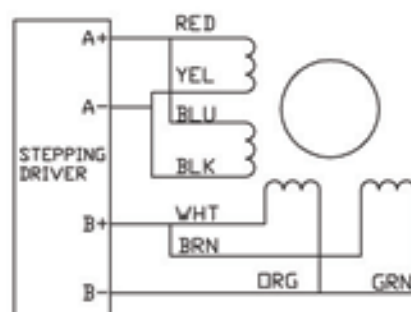


## WIRING DIAGRAM

Bipolar Series



Bipolar Parallel



Unipolar

