

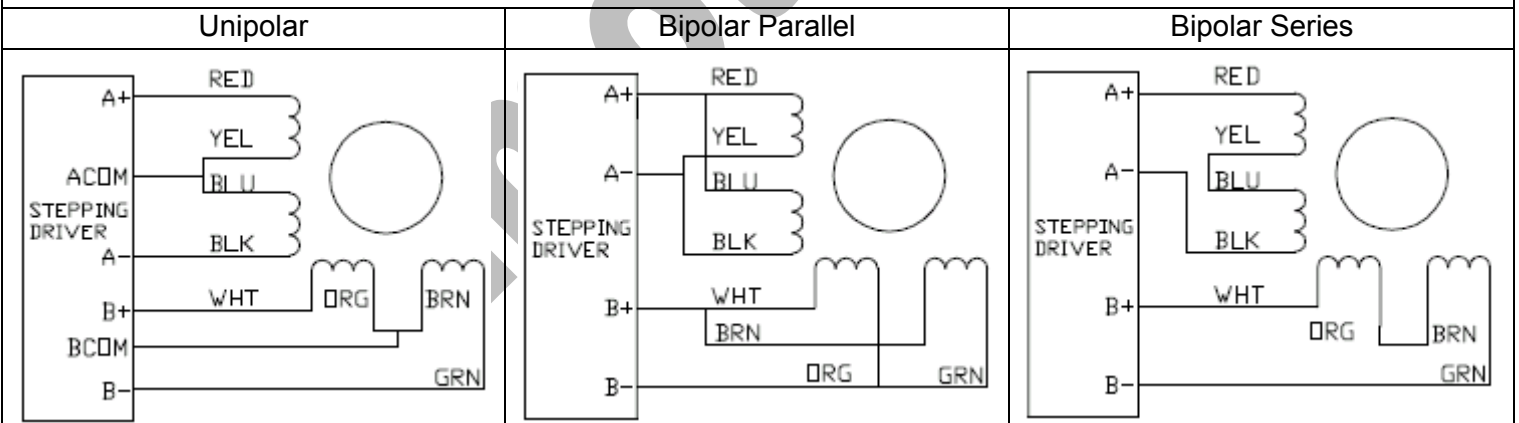
Global Motion Technology Inc

Web www.motiontek.ca Email info@motiontek.ca

Stepper Motor M255

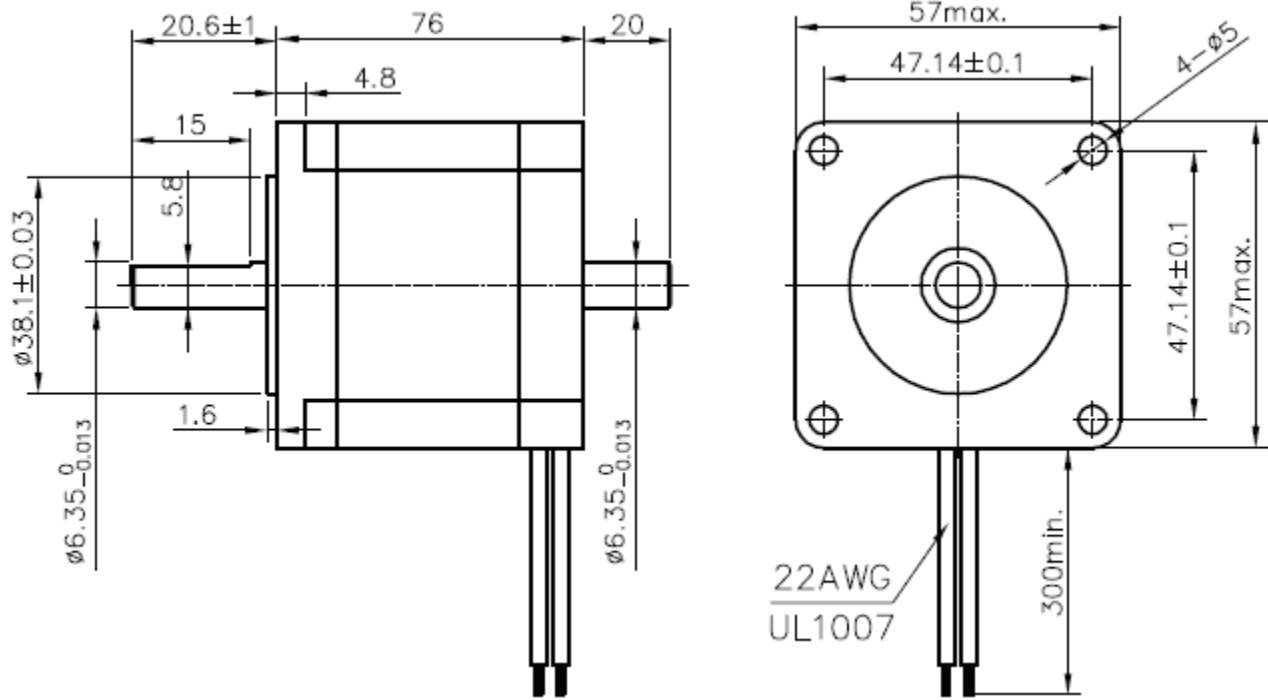
| | | | |
|-------------------------|--------------|------------------|----------------|
| Dual shaft motor code | M25523D2.848 | | |
| Single shaft motor code | M25523S2.848 | | |
| Step Angle | 1.8° | | |
| Wiring type | Unipolar | Bipolar Parallel | Bipolar Series |
| Voltage V | 2.8 | 2.1 | 3.92 |
| Current A | 2.8 | 3.92 | 1.96 |
| RESISTANCE Ω | 1 | 0.5 | 2 |
| INDUCTANCE mH | 2.1 | 2.1 | 8.4 |
| HOLDING TORQUE NM | 1.3 | 1.8 | 1.8 |
| HOLDING TORQUE oz/in | 184 | 255 | 255 |
| Phase | 4 | 2 | 2 |
| Insulation Class | B | | |
| Weight KG | 1.1 | | |
| Number of wires | 8 | | |
| Ambient temperature | -20 ~ 40 °C | | |
| Operation temperature | Up to 100 °C | | |

Wiring Diagram



CAD Drawing

Dimension unit mm



www.motiontek.ca