

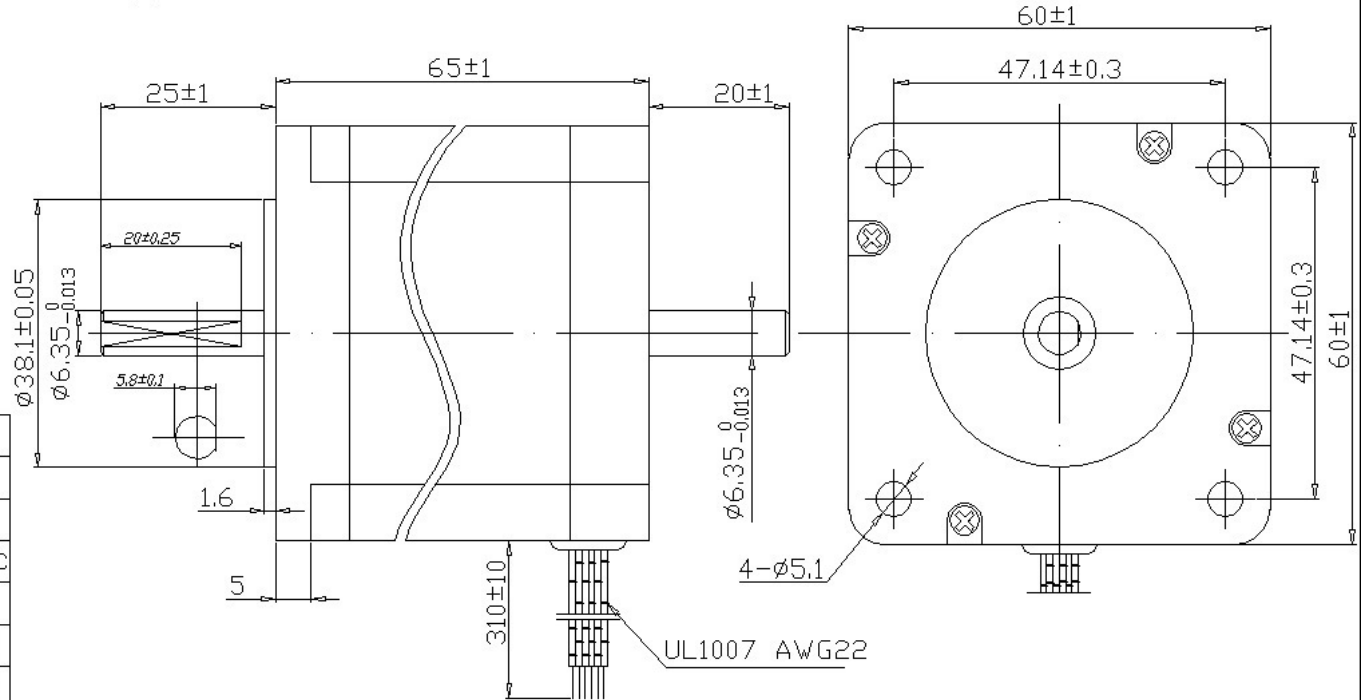
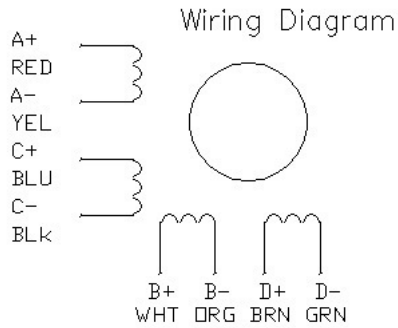
Global Motion Technology Inc

www.motiontek.ca, info@motiontek.ca

Stepper Motor Manufacturer # 60BHH65280E25S | Stock # M30623DS6625

Available in 1/4" Single/dual shaft

Stepper Motor PN M30623DS6625



SPECIFICATIONS

1	Number of Phase	4
2	Step Angle	1.8°±5%
3	Rotor Inertia	g cm ²
4	Insulation Resistance	100MΩ 500VDC
5	Insulation Class	B 130max
6	Ambient Temperature	-20° to 50°
7	Ambient Humidity	15% to 95%
8	Motor Weight	Approx 1.05 kg

WIRINGS CONNECTION DIAGRAM

	Holding Torque (2 phases on) oz/in ±10%	Rated Current/Phase {Amps DC}	Resistance/ Phase (ohms)±10%	Voltage/Phase (V DC)	Inductance/ Phase (mH)±20% Typical(1kHz)
Unipolar	218	2	2.4	4.8	4.2
Bipolar(Series)	306	1.4	4.8	6.72	16
Bipolar(Parallel)	306	2.8	1.2	3.36	4.2

