

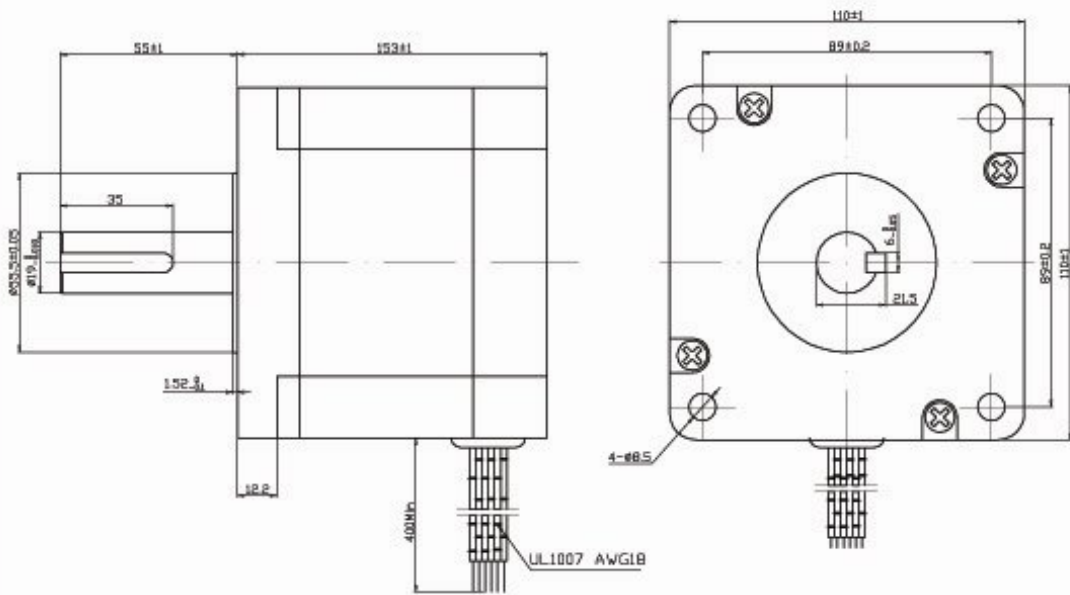
Stepper Motor M3100

SPECIFICATIONS

PHASE	STEP ANGLE	CONNECTION STYLE	CURRENT	RESISTANCE	INDUCTANCE	HOLDING TORQUE	CLASS OF INSULATION	WEIGHT
	DEG/STEP		A	ohms \pm 10%	mH \pm 20%	N.m		Kg
2	1.8	parallel	8.2	0.6	11	22	B	8.8
2		series	4.1	1.2	44	22		
4		unipolar	5.8	0.6	11	16		

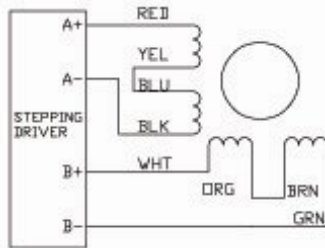
DIMENSION:

Units :mm

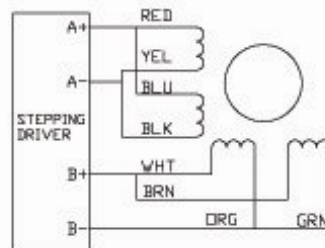


WIRING DIAGRAM

Bipolar Series



Bipolar Parallel



Unipolar

