

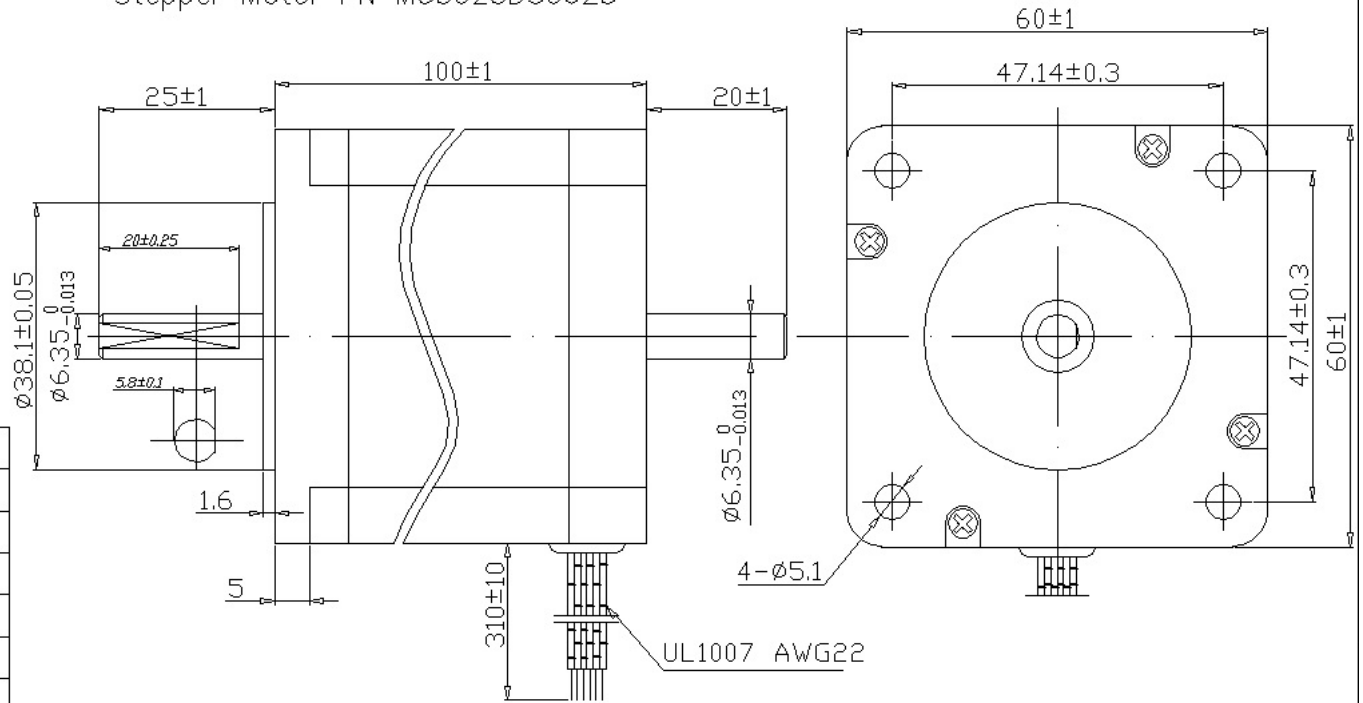
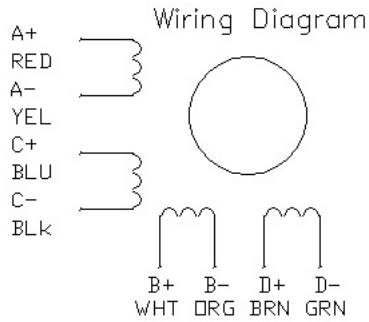
Global Motion Technology Inc

www.motiontek.ca, info@motiontek.ca

Stepper Motor Manufacturer # 60BHH100501E25S | Stock # M55623DS6625

Available in 1/4" Single/dual shaft, 8mm and 3/8" single shaft

Stepper Motor PN M55623DS6625



SPECIFICATIONS

1	Number of Phase	2
2	Step Angle	1.8'±5%
3	Rotor Inertia	g/cm ²
4	Insulation Resistance	100MΩ 500VDC
5	Insulation Class	B 130 max
6	Ambient Temperature	-20 to 50
7	Ambient Humidity	15% to 95%
8	Motor Weight	Approx 1.65 kg

WIRINGS CONNECTION DIAGRAM

	Holding Torque (2 phases on) oz/in±10%	Rated Current/Phase {Amps DC}	Resistance/ Phase (ohms)±10%	Voltage/ Phase (V DC)	Inductance/ Phase (mH)±20% Typical(1kHz)
Unipolar	396	3.57	1.2	4.3	2.5
Bipolar(Series)	556	2.5	2.4	6	9.5
Bipolar(Parallel)	556	5.0	0.6	3	2.5

