

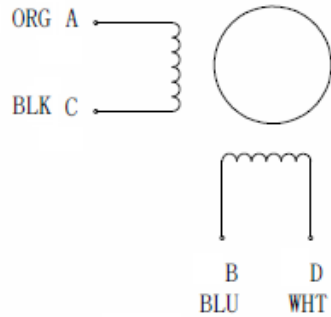
Global Motion Technology Inc

www.motiontek.ca, info@motiontek.ca

Stepper Motor Manufacturer # 42BHH40W-080D-24 | Stock # M8317DS524 / M8317SS524

Available in 5mm Single/dual shaft

Wiring Diagram



Stepper Motor PN M8317DS524 PN M8317SS524

SPECIFICATIONS

1	Number of Phase	2
2	Step Angle	$1.8^\circ \pm 5\%$
3	Holding Torque oz/in	83
4	Voltage	2.0VDC
5	Current	2.1A
6	Phase Resistance (20°C)	$0.95 \pm 10\% \Omega$
7	Phase Inductance (1KHz)	$2.4 \pm 20\% \text{mH}$
8	Rotor Inertia	$\text{g} \cdot \text{cm}^2$
9	Insulation Resistance	$100\text{M} \Omega$ 500VDC
10	Insulation Class	B (130°C)
11	Ambient Temperature	-20°C to 50°C
12	Ambient Humidity	15% to 95%
13	Motor Weight	Approx 0.45 kg
14		

