

Motiontek Drives System

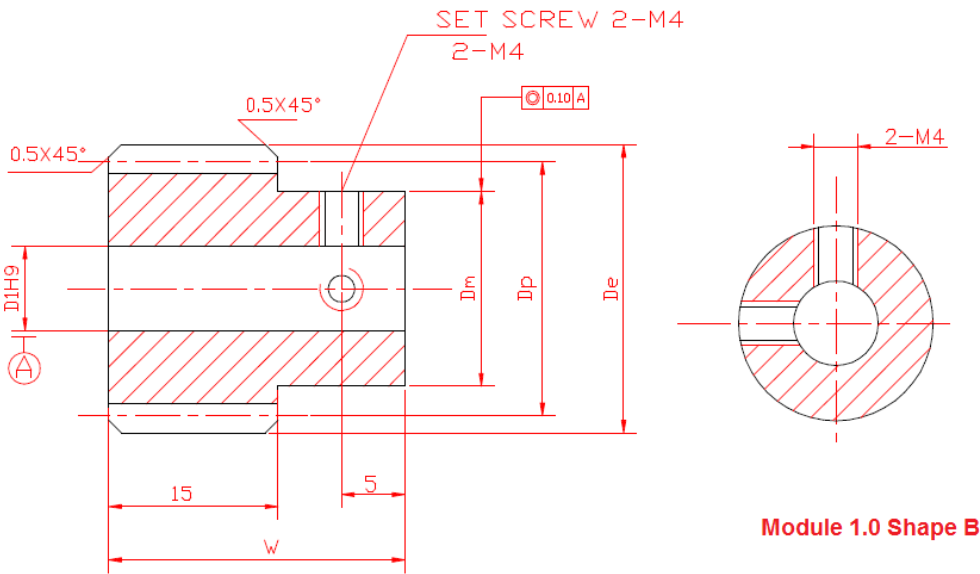
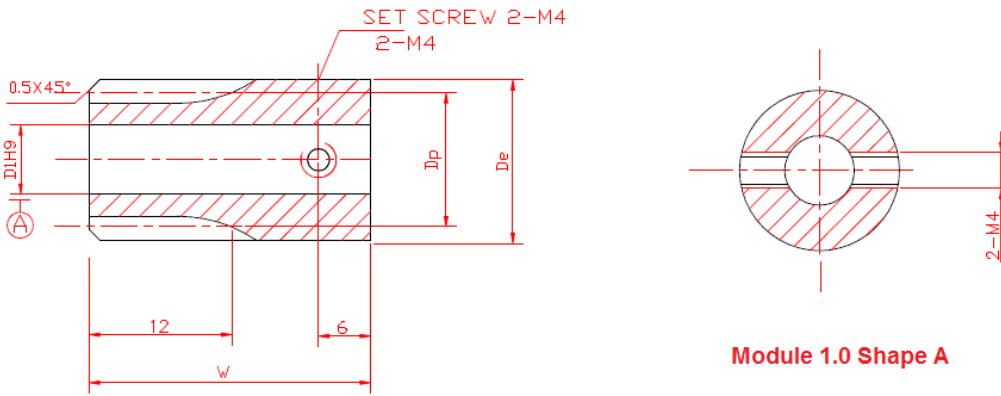
Pinion Straight Teeth material C45 Steel (C)

Pressure angle 20°

Set Screw Holes (N)= ∅ 5.4mm

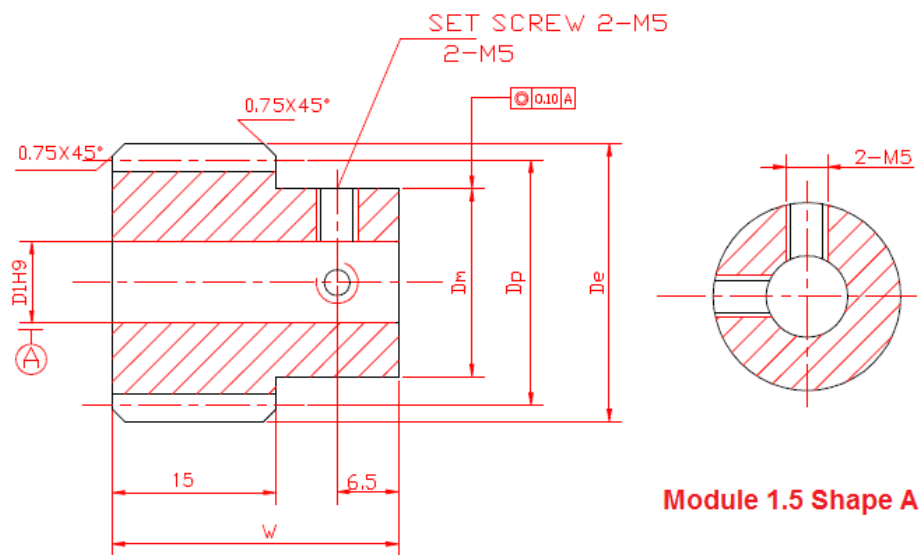
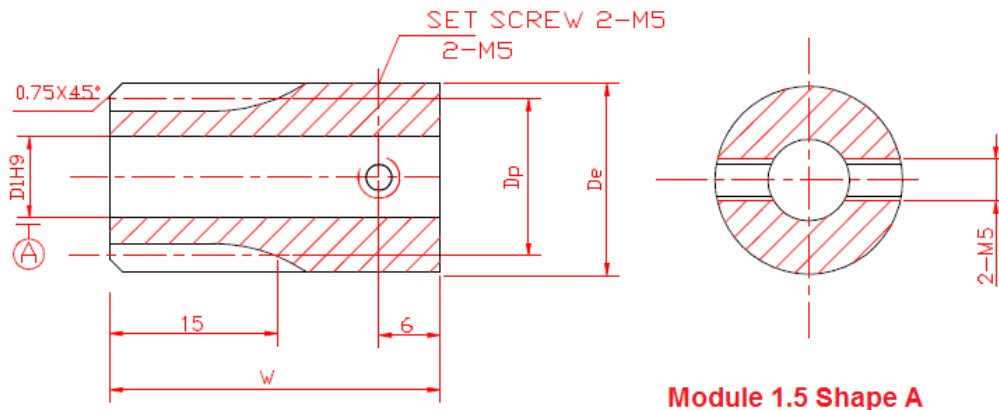
All measurement are in metric mm, each inch = 25.4 mm

Code P - S - C - 10 - 12					
Digit	1	2	3	4 ~ 5	6 ~ 7
Description	P = Pinion	S = Straight Teeth H = Helical Teeth	C= C45 Material	10= Module 1.0 15= Module 1.5 20= Module 2.0	Number of Teeth



Part No.	Module	No of Teeth	De	Dp	DH9	W	Dm	Set Screw	Shape	Max Bore	Weight
PSC1012	1.0	12	14.0	12.0	6.35	25	-	2-M4	A	6.35	
PSC1014	1.0	14	16.0	14.0	6.35	25	-	2-M4	A	6.35	
PSC1016	1.0	16	18.0	16.0	6.35	25	-	2-M4	A	8	
PSC1018	1.0	18	20.0	18.0	6.35	25	-	2-M4	A	10	
PSC1020	1.0	20	22.0	20.0	6.35	25	16	2-M4	B	6.35	
PSC1022	1.0	22	24.0	22.0	6.35	25	16	2-M4	B	6.35	
PSC1024	1.0	24	26.0	24.0	6.35	25	20	2-M4	B	12.7	

PSC1026	1.0	26	28.0	26.0	6.35	25	20	2-M4	B	12.7	
PSC1030	1.0	30	32.0	30.0	6.35	25	20	2-M4	B	12.7	



Part No.	Module	No of Teeth	De	Dp	DH9	W	Dm	Set Screw	Shape	Max Bore	Weight
PSC1516	1.5	16	27.0	24.0	6.35	30	-	2-M5	A	8	
PSC1518	1.5	18	30.0	27.0	6.35	30	20	2-M5	B	12.7	
PSC1520	1.5	20	33.0	30.0	6.35	30	25	2-M5	B	15	
PSC1522	1.5	22	36.0	33.0	6.35	30	25	2-M5	B	15	
PSC1524	1.5	24	39.0	36.0	6.35	30	25	2-M5	B	15	
PSC1526	1.5	26	42.0	39.0	6.35	30	30	2-M5	B	20	
PSC1530	1.5	30	48.0	45.0	6.35	30	30	2-M5	B	20	
PSC1534	1.5	34	54.0	51.0	6.35	30	35	2-M5	B	25	
PSC1536	1.5	36	57.0	54.0	6.35	30	35	2-M5	B	25	
PSC1540	1.5	40	63.0	60.0	6.35	30	40	2-M5	B	30	