

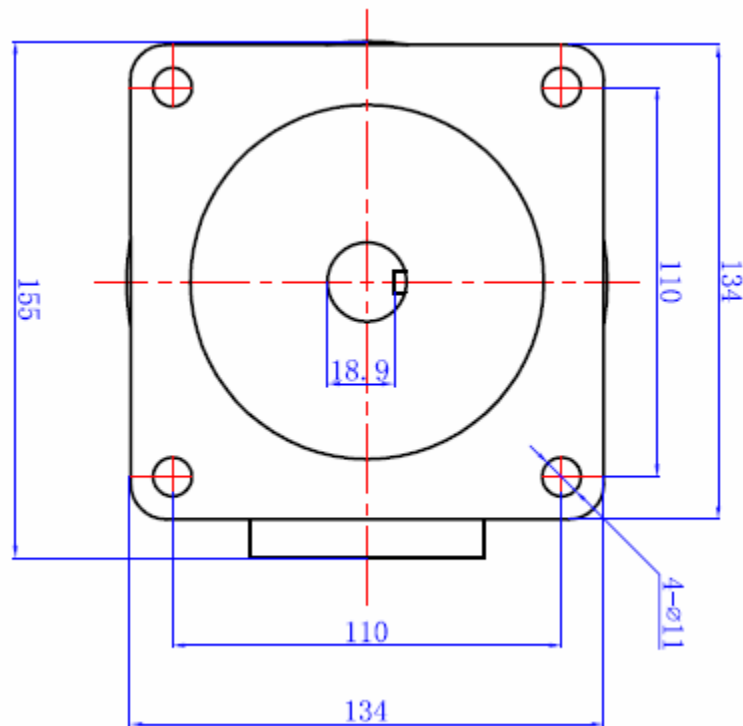
Global Motion Technology Inc

www.motiontek.ca

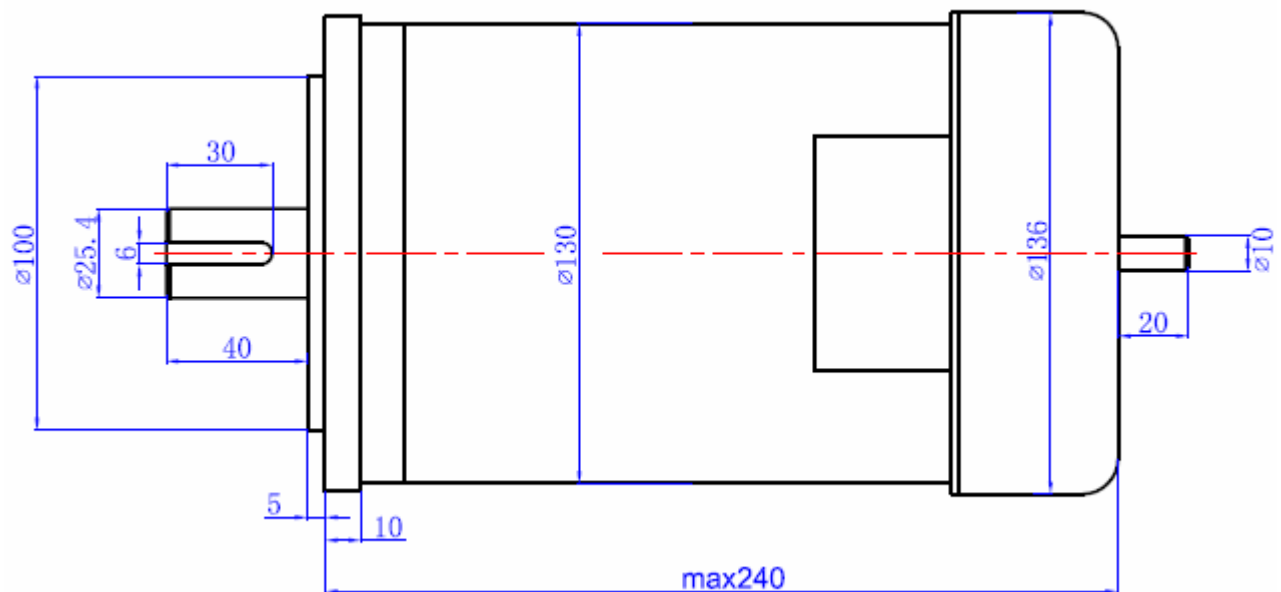
SM562570 DC Servo Motor

Drawing in Metric each 1 inch = 25.4 mm

Front



Side



Global Motion Technology Inc

www.motiontek.ca



DC Servo Motor Specification

Frame Size	Nema56
Constant Torque	528 oz/in – 3.7 N.M
Peak Torque	2571 oz/in – 18 N.M
Continuous Current	11 Amp
Peak Current	50 Amp
Maximum Speed	1800 RPM $\pm 10\%$ at 90V
Resistance	1.474 ohm
Inductance	0.59 mh
Terminal Voltage	140 VDC
Front shaft diameter/length	19mm-0.748" / 40mm-1.574"
Encoder Shaft diameter/length	10mm-0.393" / 20mm-0.787"

Encoder Optional Encoder Specification

Encoder Type Optical, 5 Pins Single-Ended, 500 CPR or 1000 CPR with Latching connector & optional latching cable 5 pins.