

Motiontek Drives System

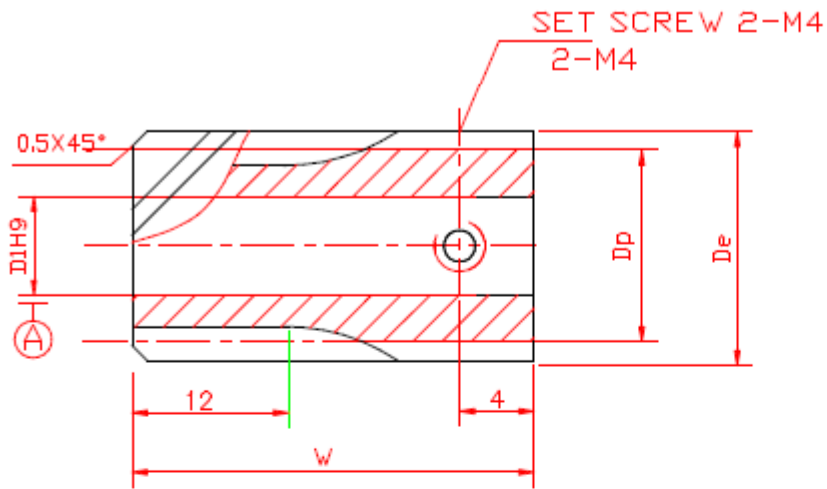
Pinion Helical Teeth material C45 Steel (C)

Pressure angle 20°

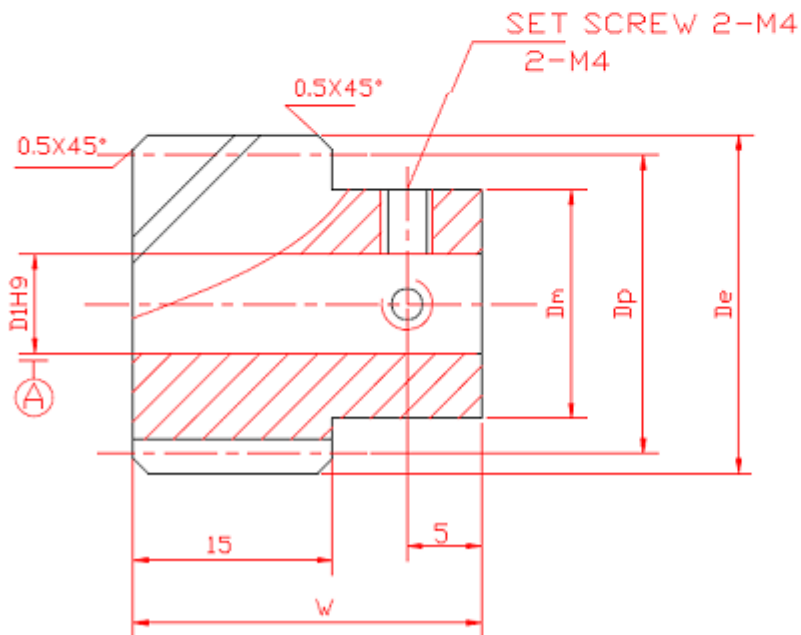
Set Screw Holes (N)= \varnothing 5.4mm

All measurement are in metric mm, each inch = 25.4 mm

Code P - H - C - 10 - 12					
Digit	1	2	3	4 ~ 5	6 ~ 7
Description	P = Pinion	S = Straight Teeth H = Helical Teeth	C= C45 Material	10= Module 1.0 15= Module 1.5 20= Module 2.0	Number of Teeth

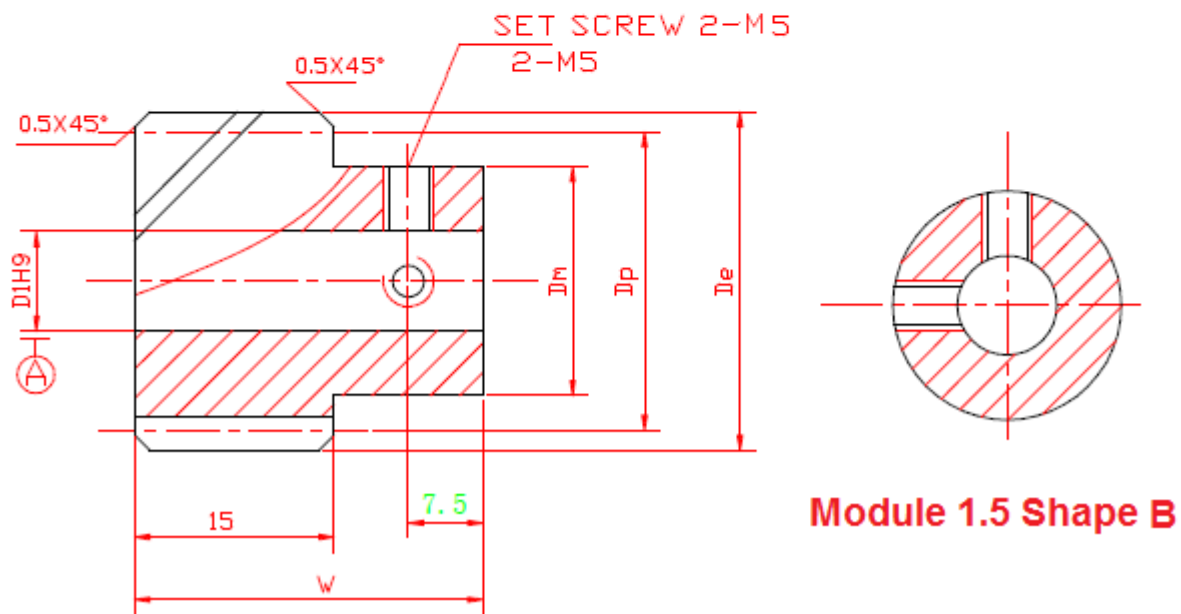
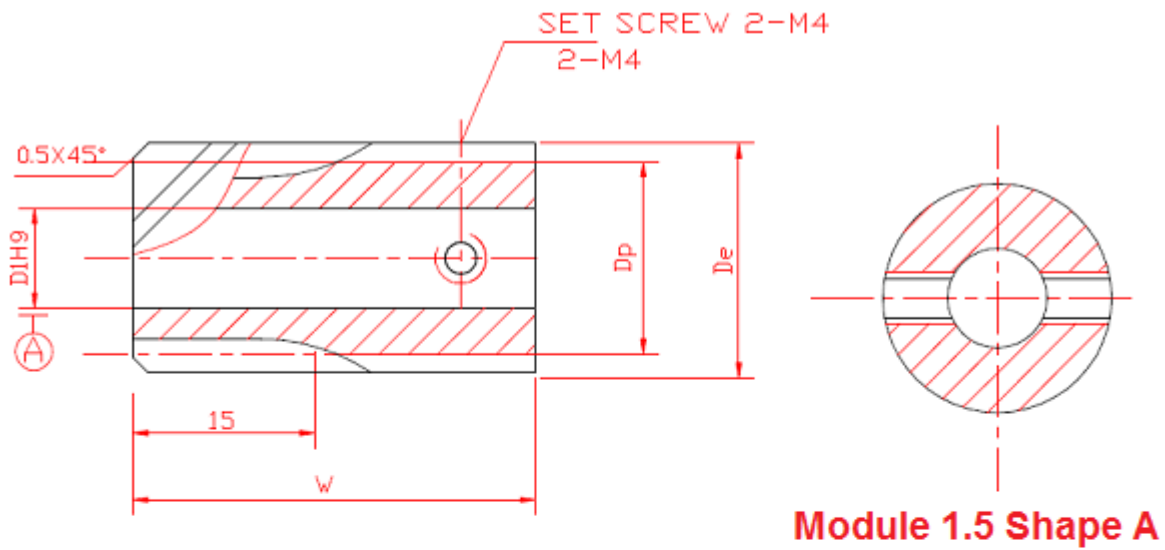


Module 1.0 Shape A



Module 1.0 Shape B

Part No.	Module	No of Teeth	De	Dp	DH9	W	Dm	Set Screw	Shape	Max Bore	Weight
PHC1012	1.0	12	14.73	12.73	6.35	30	-	2-M4	A	6.35	
PHC1014	1.0	14	16.85	14.85	6.35	30	-	2-M4	A	6.35	
PHC1016	1.0	16	18.98	16.98	6.35	30	-	2-M4	A	8	
PHC1018	1.0	18	21.10	18.10	6.35	30	-	2-M4	A	10	
PHC1020	1.0	20	23.22	21.22	6.35	25	16	2-M4	B	6.35	
PHC1022	1.0	22	25.34	23.34	6.35	25	16	2-M4	B	6.35	
PHC1024	1.0	24	27.46	25.46	6.35	25	20	2-M4	B	12.7	
PHC1026	1.0	26	29.59	27.59	6.35	25	20	2-M4	B	12.7	
PHC1030	1.0	30	33.83	31.83	6.35	25	20	2-M4	B	12.7	



Part No.	Module	No of Teeth	De	Dp	DH9	W	Dm	Set Screw	Shape	Max Bore	Weight
PHC1516	1.5	16	28.46	25.46	6.35	30	-	2-M4	A	8	
PHC1518	1.5	18	31.65	28.65	6.35	30	20	2-M5	B	12.7	
PHC1520	1.5	20	34.83	31.83	6.35	30	25	2-M5	B	15	
PHC1522	1.5	22	38.01	35.01	6.35	30	25	2-M5	B	15	
PHC1524	1.5	24	41.20	38.20	6.35	30	25	2-M5	B	15	
PHC1526	1.5	26	44.38	41.38	6.35	30	30	2-M5	B	20	
PHC1530	1.5	30	50.75	47.75	6.35	30	30	2-M5	B	20	
PHC1534	1.5	34	54.0	51.0	6.35	30	35	2-M5	B	25	
PHC1536	1.5	36	57.0	54.0	6.35	30	35	2-M5	B	25	
PHC1540	1.5	40	63.0	60.0	6.35	30	40	2-M5	B	30	